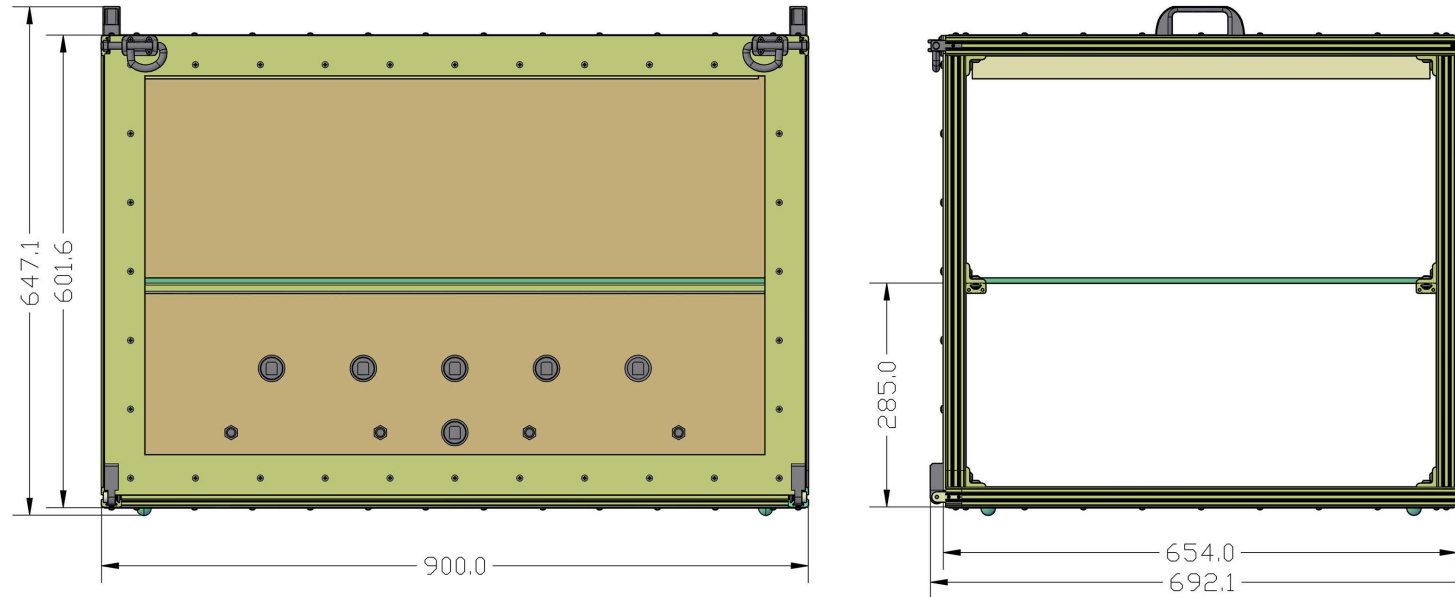
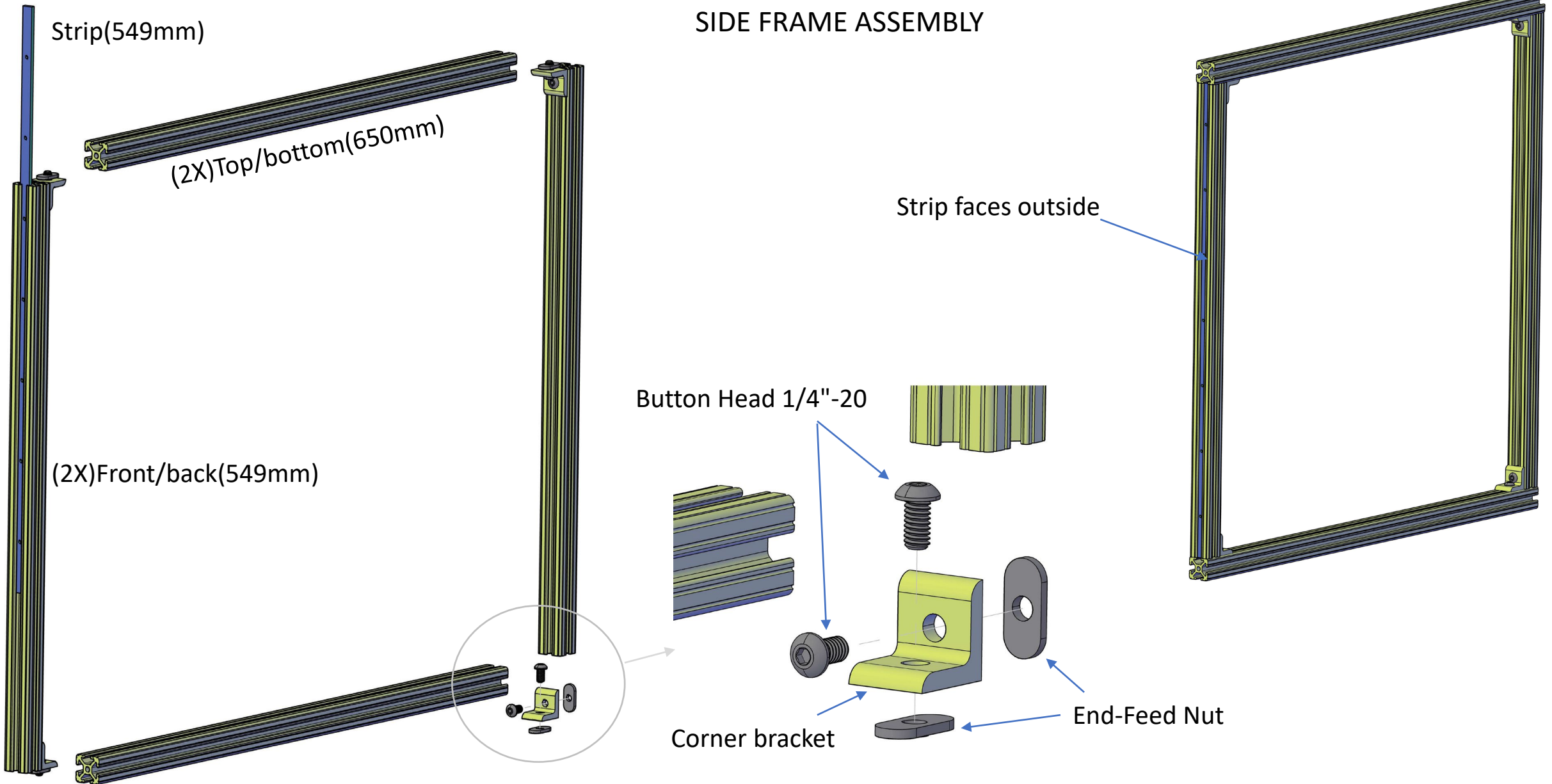


FARADAY ENCLOSURE FE3B



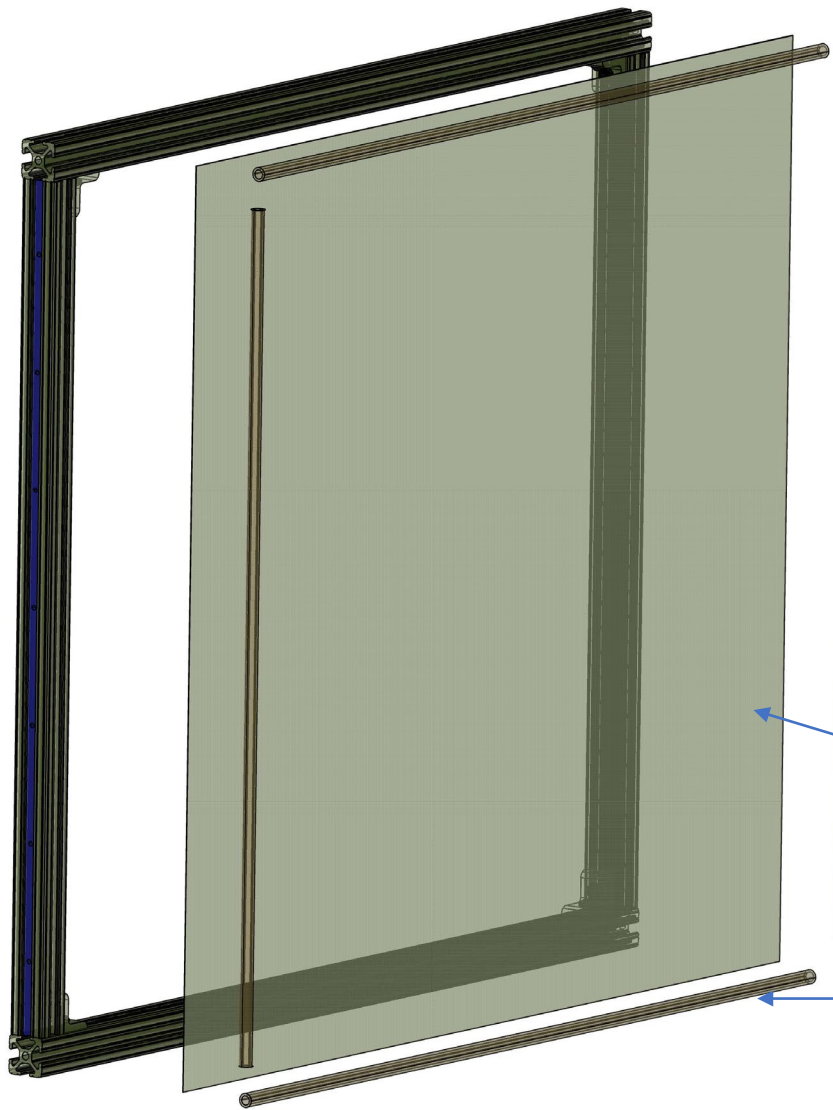
- Frame assembly.....Page 2-7
- Shelf installationPage 8-9
- Back wall preparation Page 10
- Top, bottom, back wall installationPage 11-12
- Door assembly Page 13-14
- Door setting Page 15
- Lock setting and adjustment Page 16

SIDE FRAME ASSEMBLY

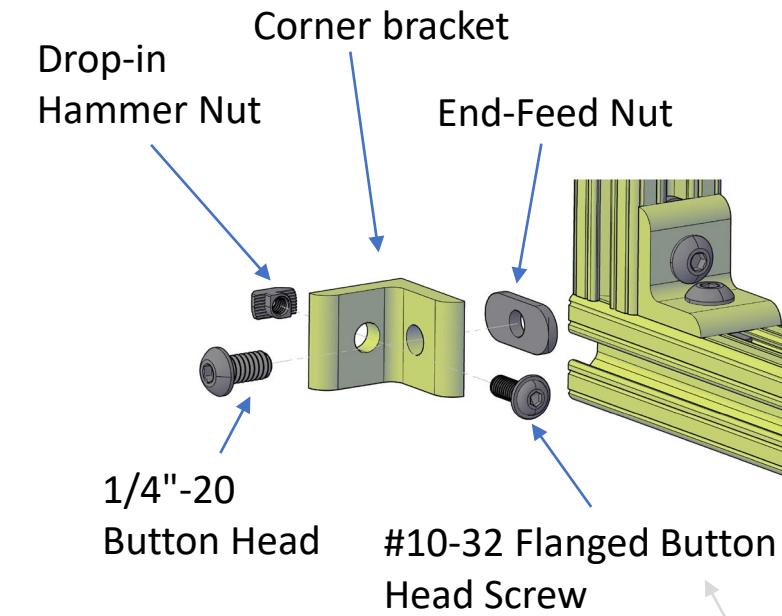


STEP 1

SIDE FRAME ASSEMBLY(continued)

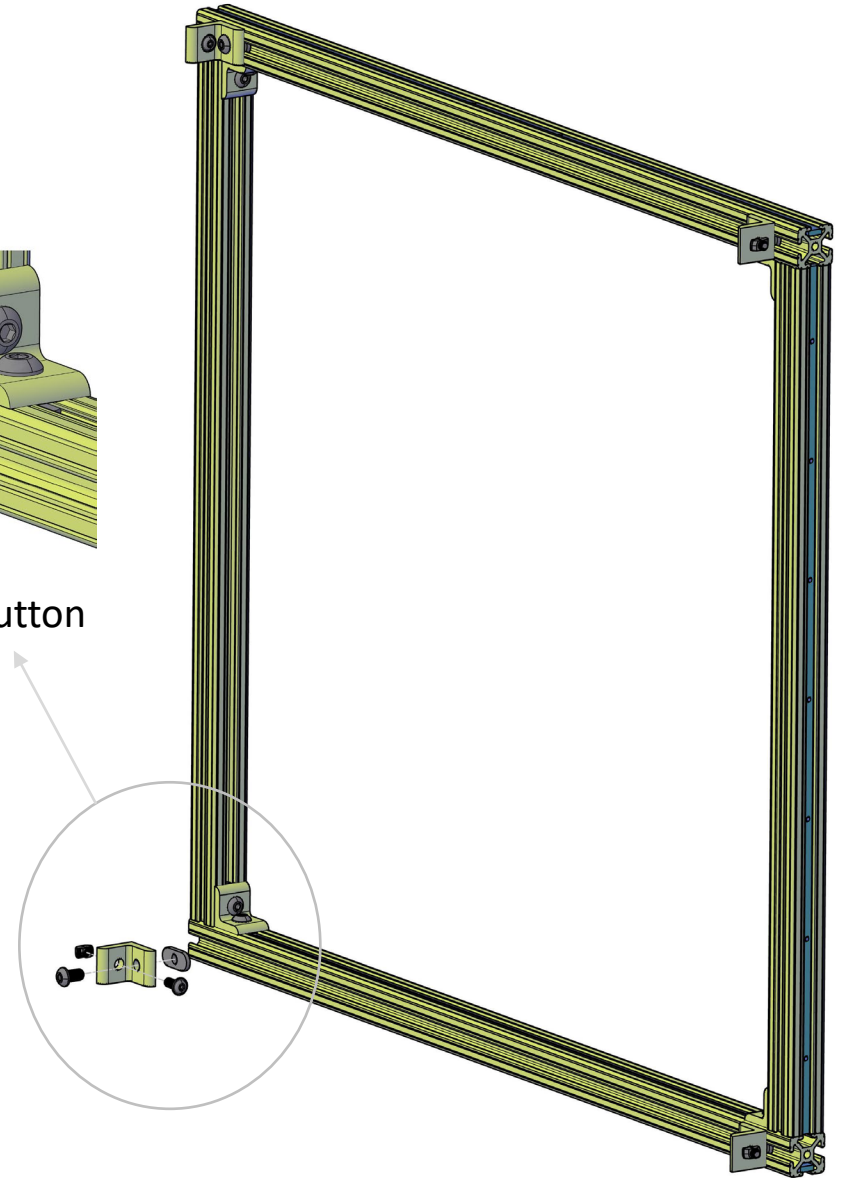


STEP 2



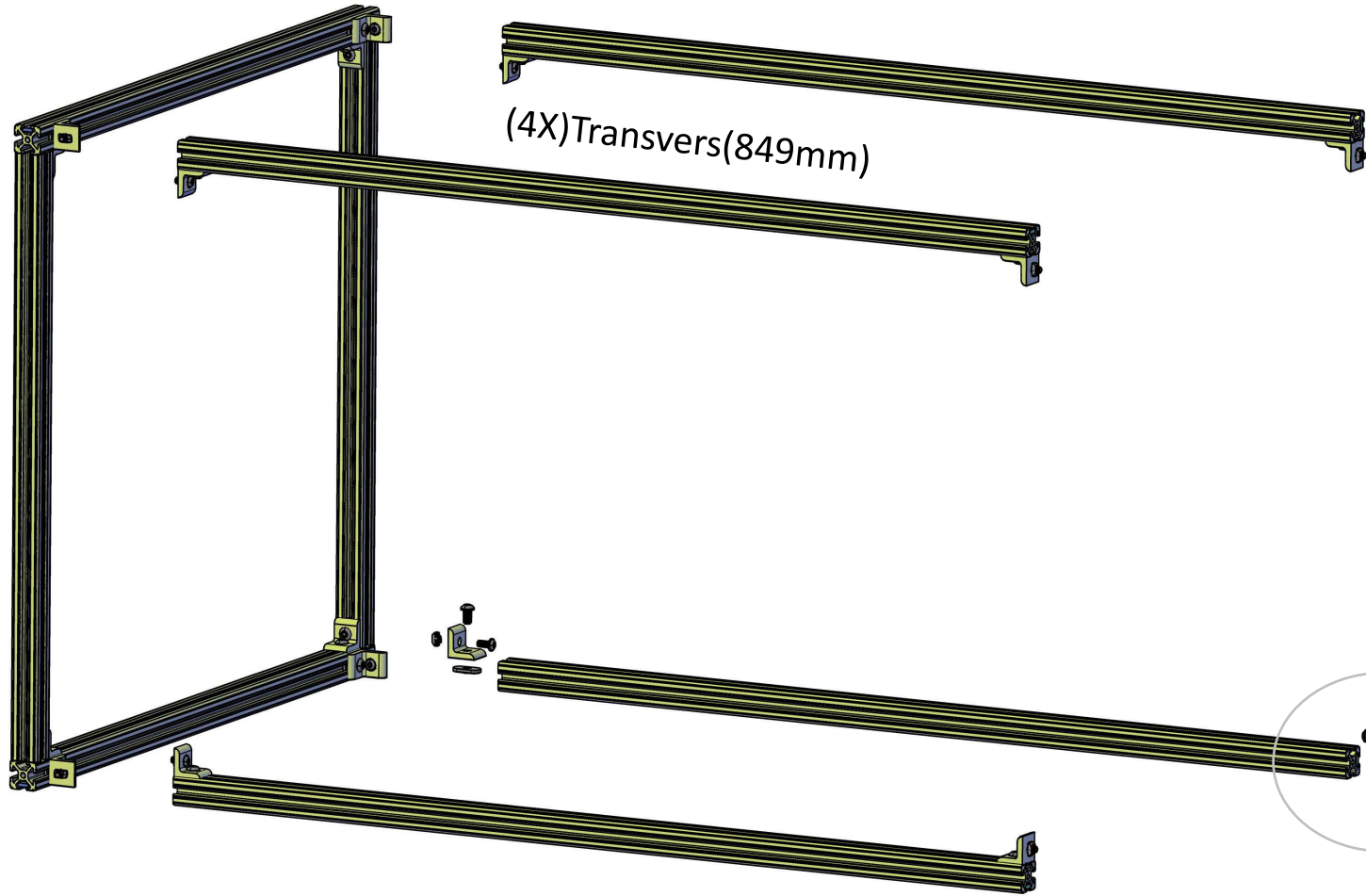
Mesh

Silicon rubber tube



STEP 3

FRAME ASSEMBLY



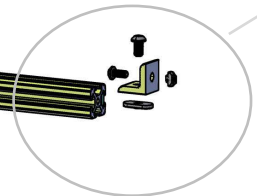
#10-32 Flanged Button Head Screw

1/4"-20 Button Head

Drop-in Hammer Nut

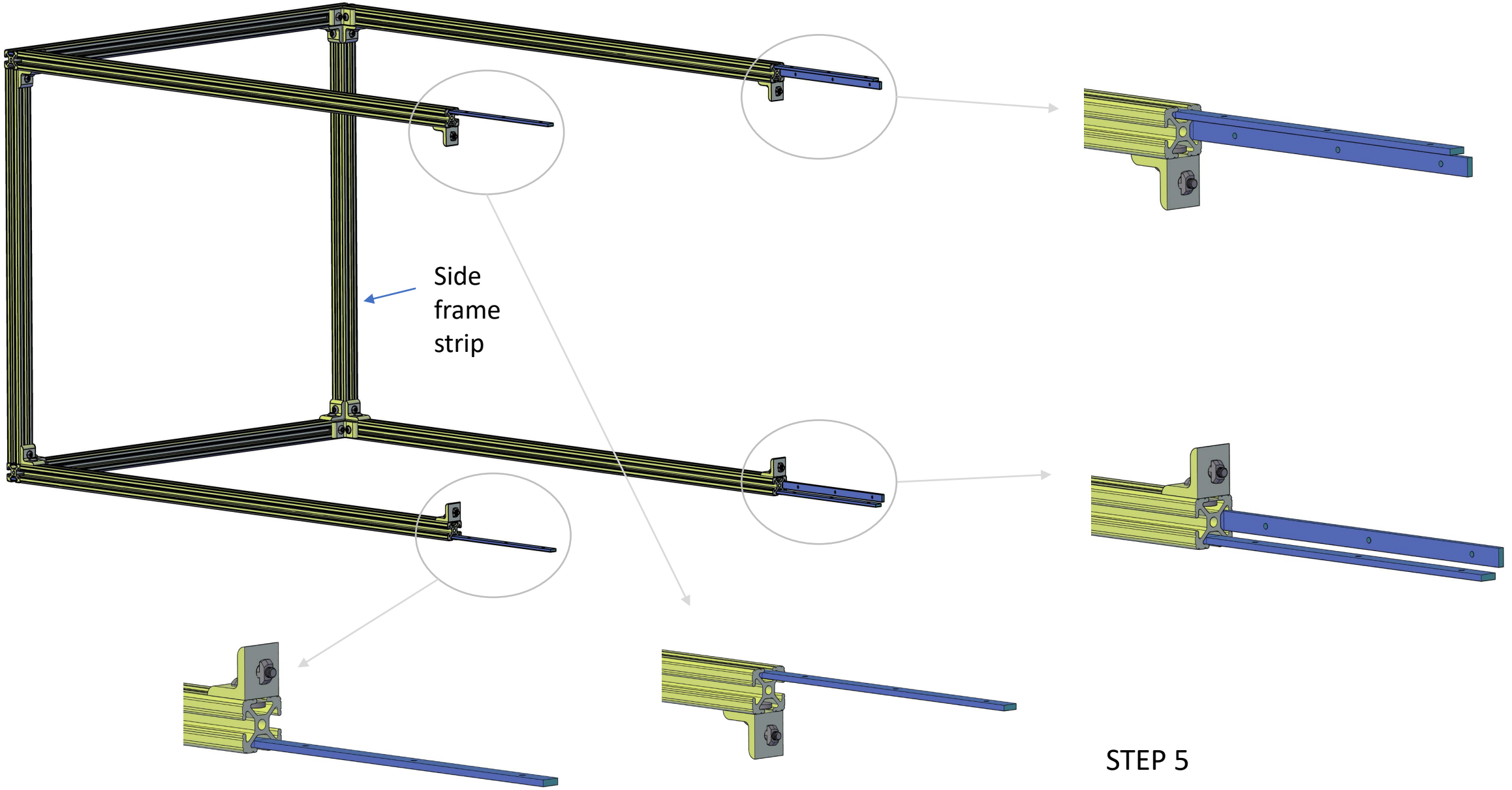
Corner bracket

End-Feed Nut



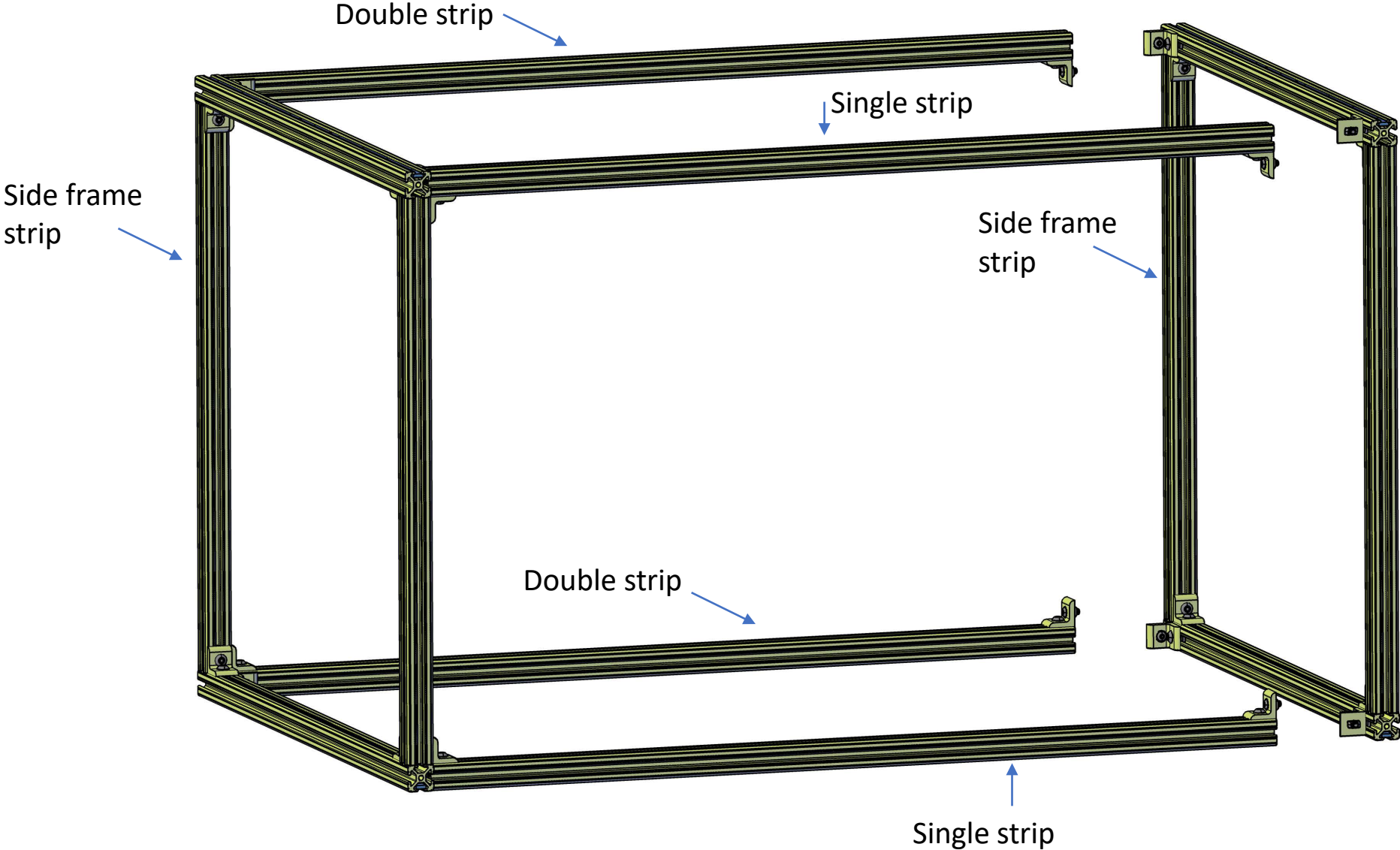
STEP 4

FRAME ASSEMBLY(continued)



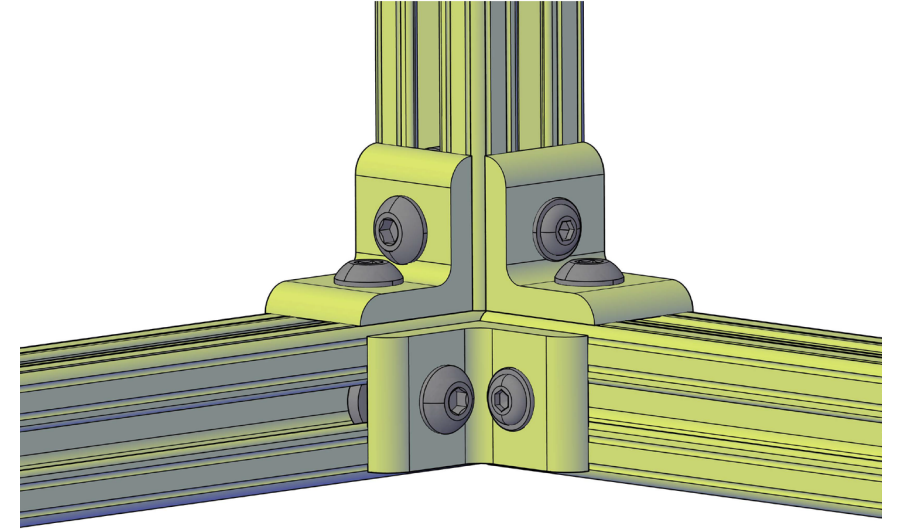
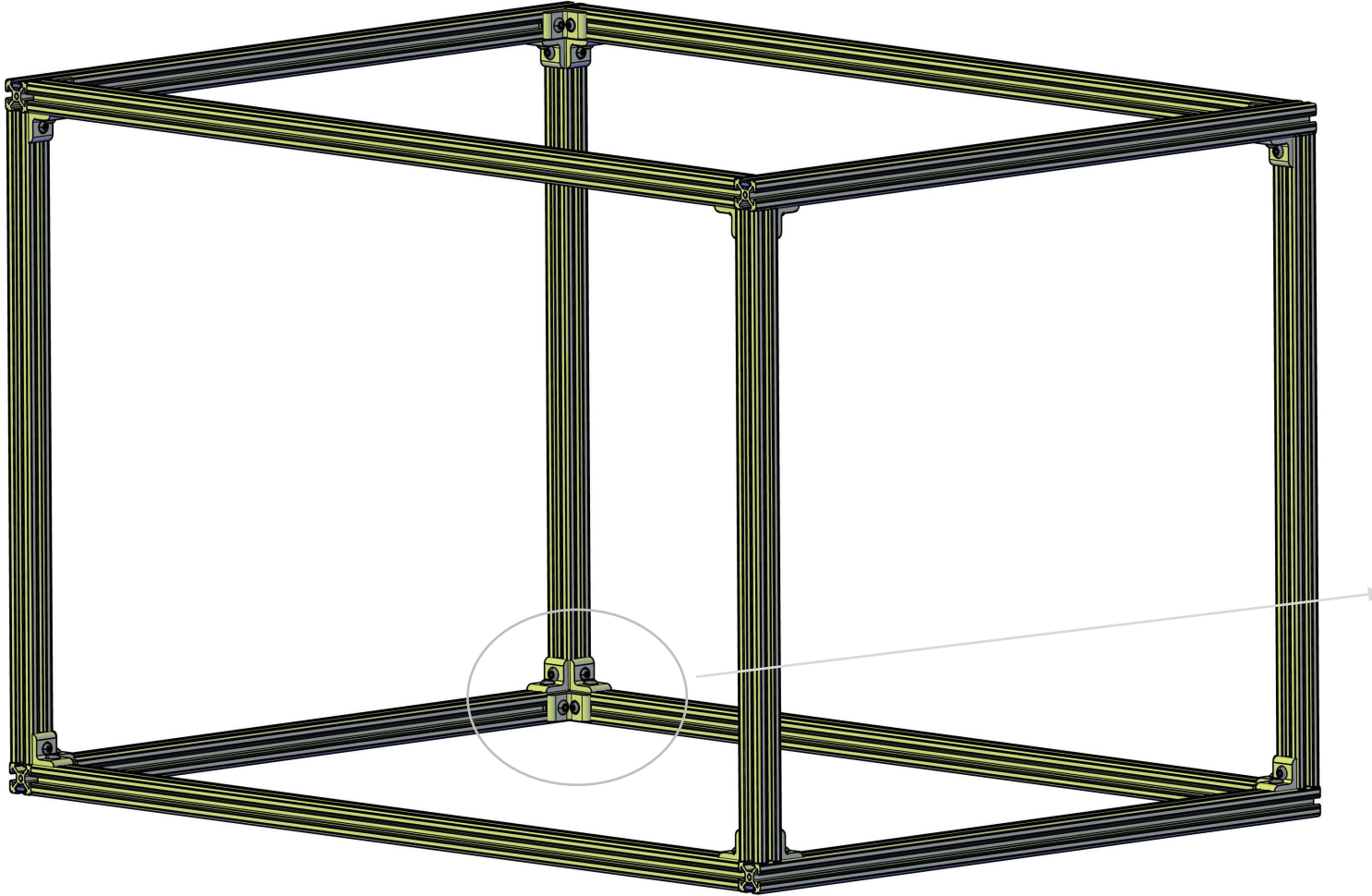
STEP 5

FRAME ASSEMBLY(continued)

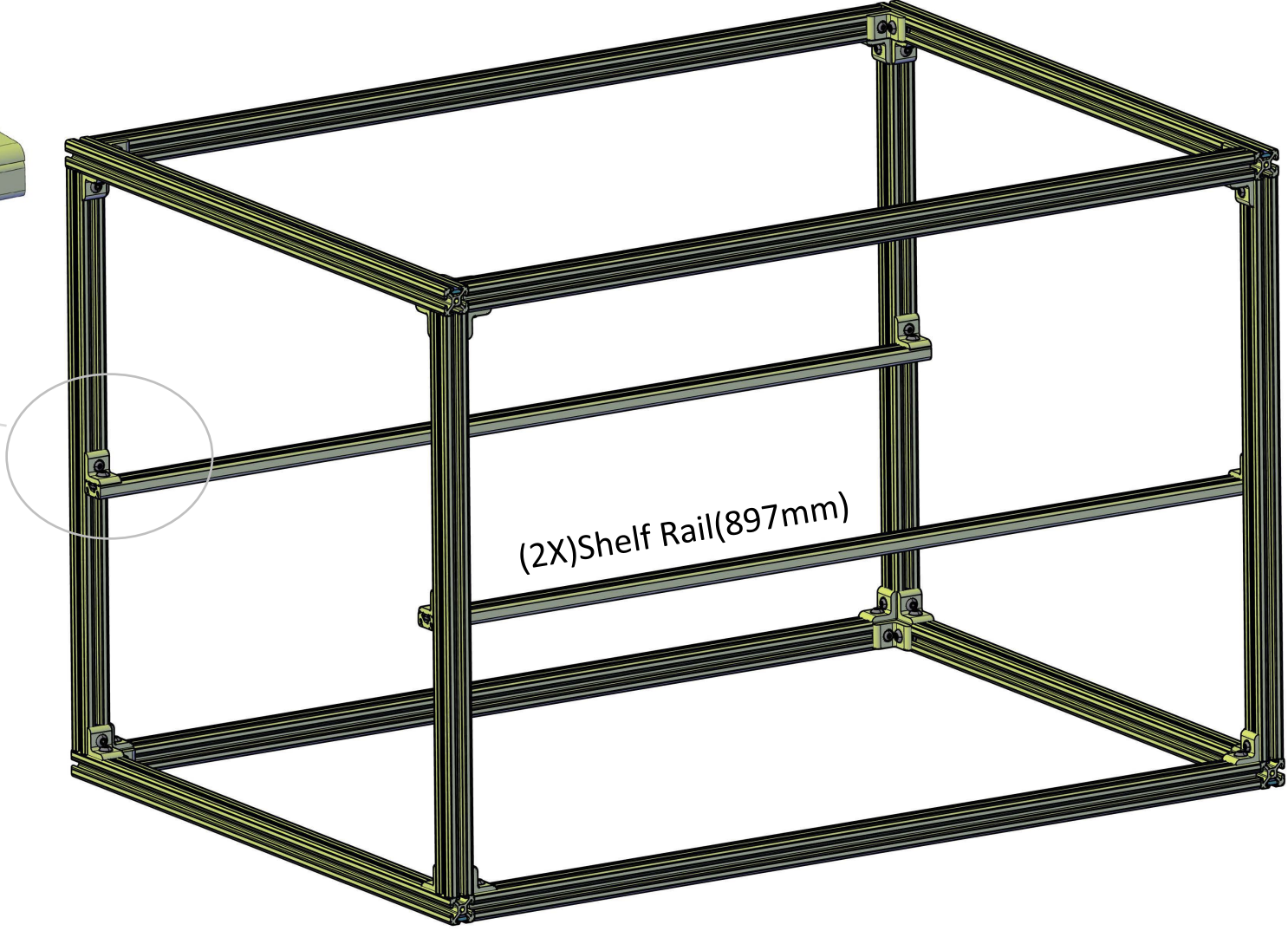
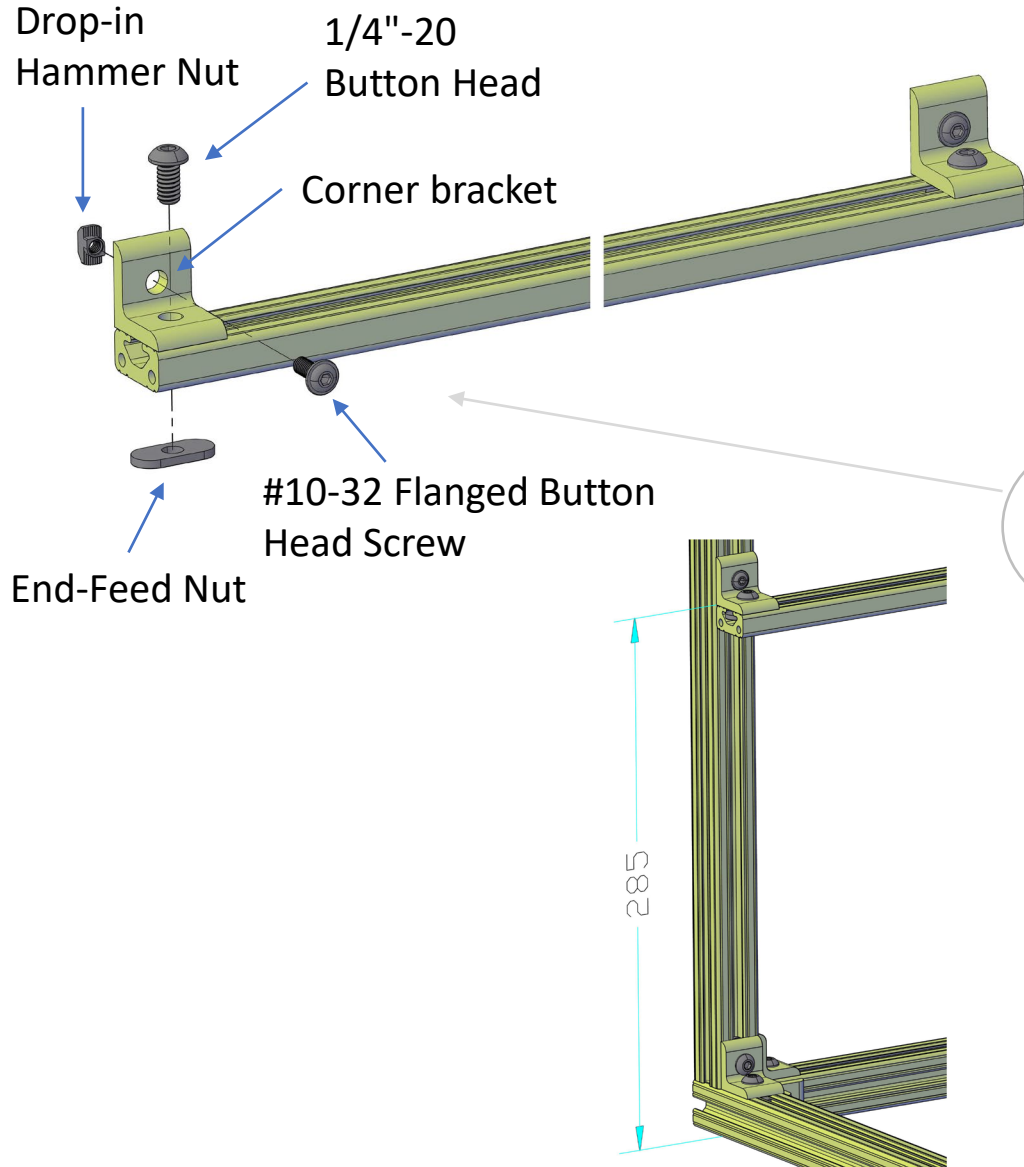


STEP 6

FRAME ASSEMBLED

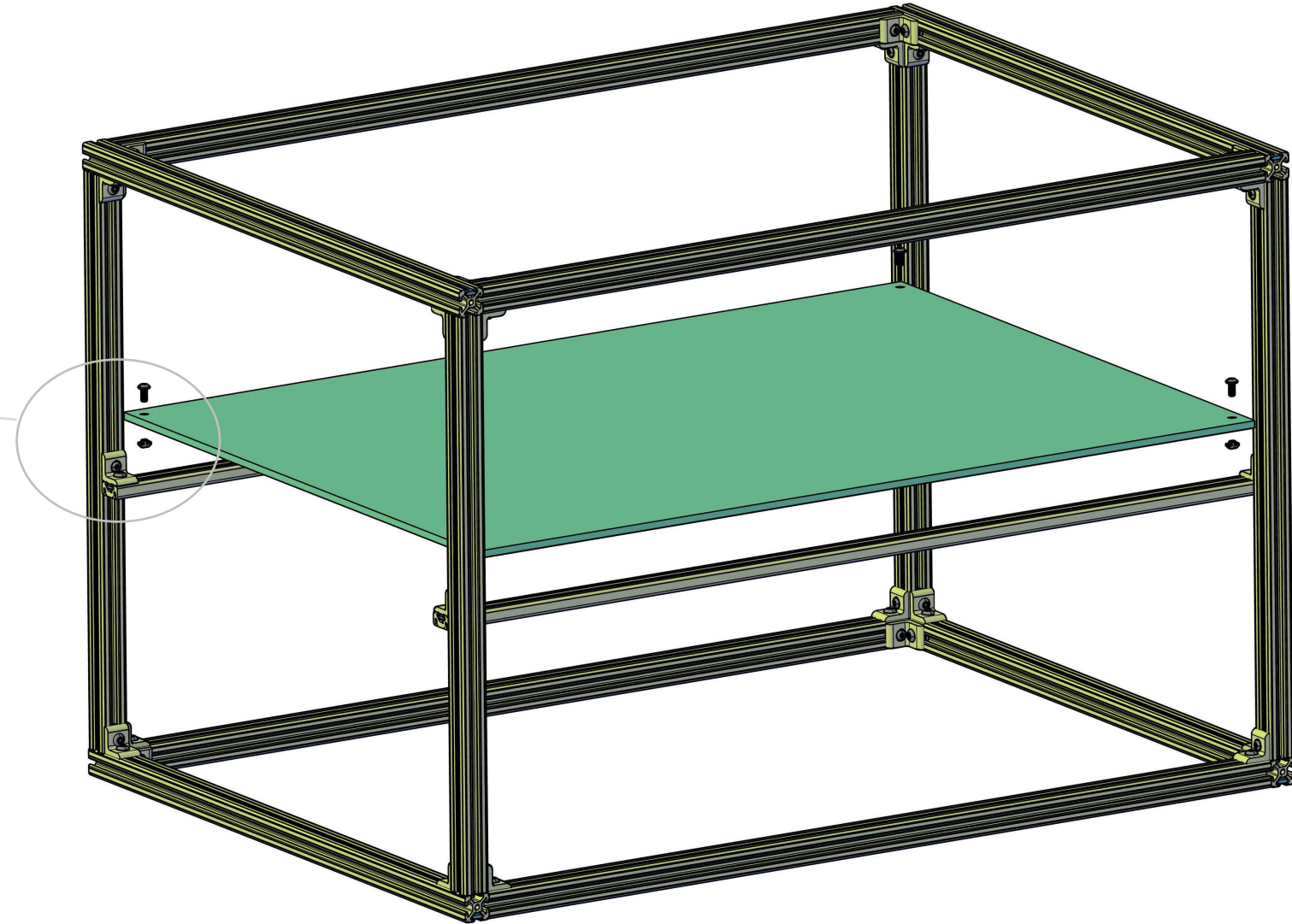
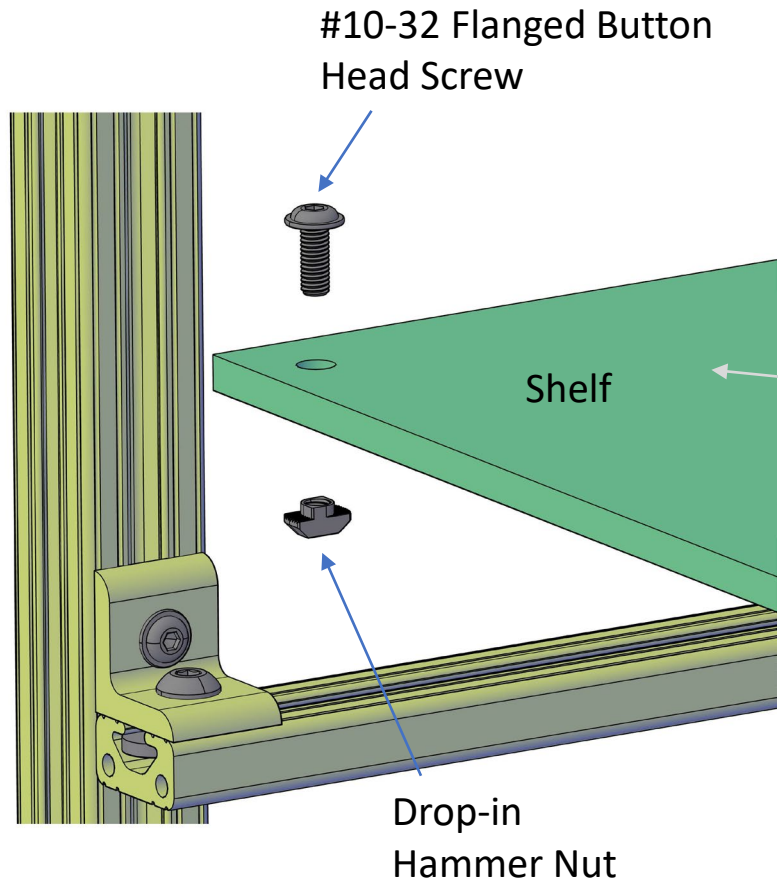


SHELF INSTALLATION



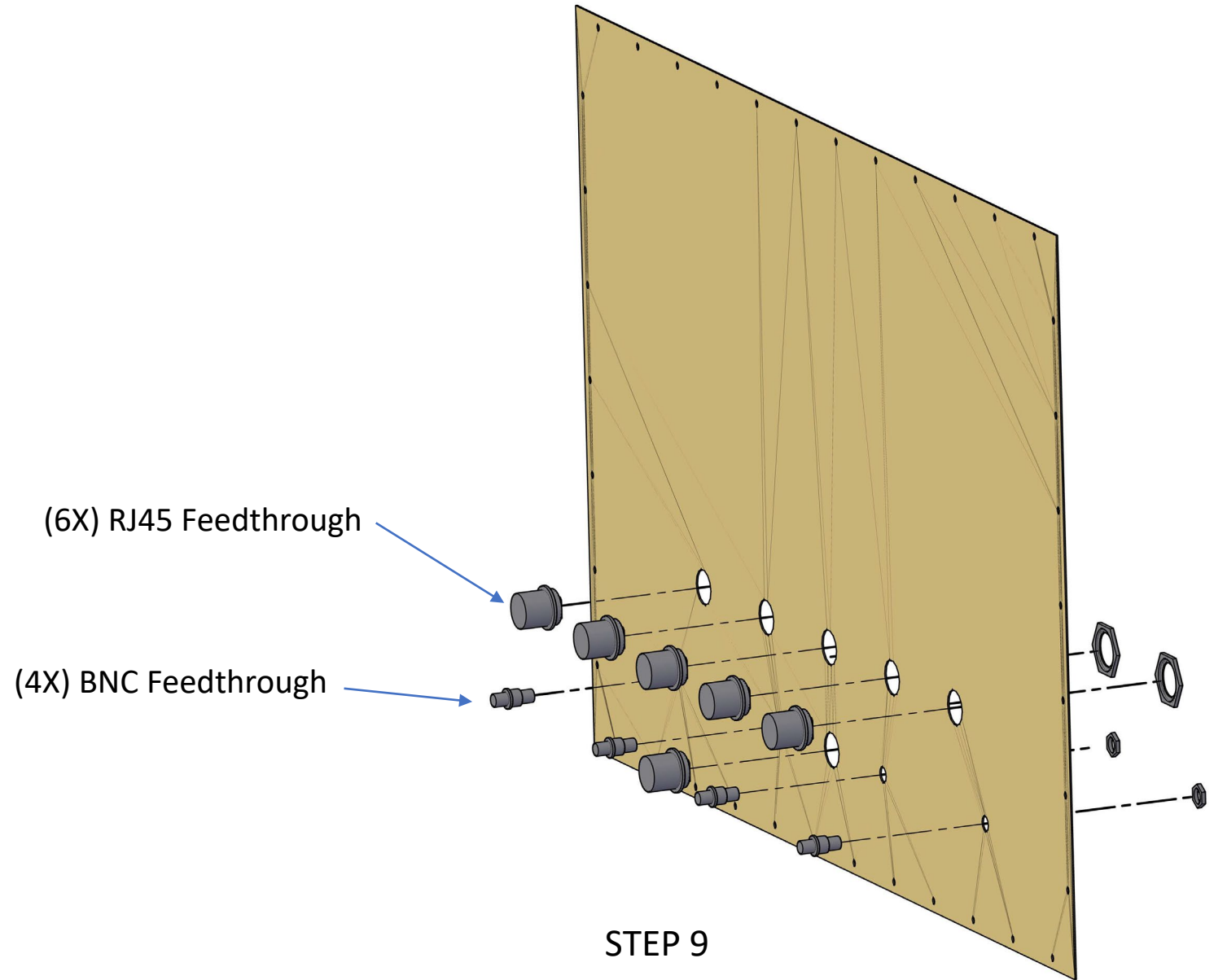
STEP 7

SHELF INSTALLATION(continued)

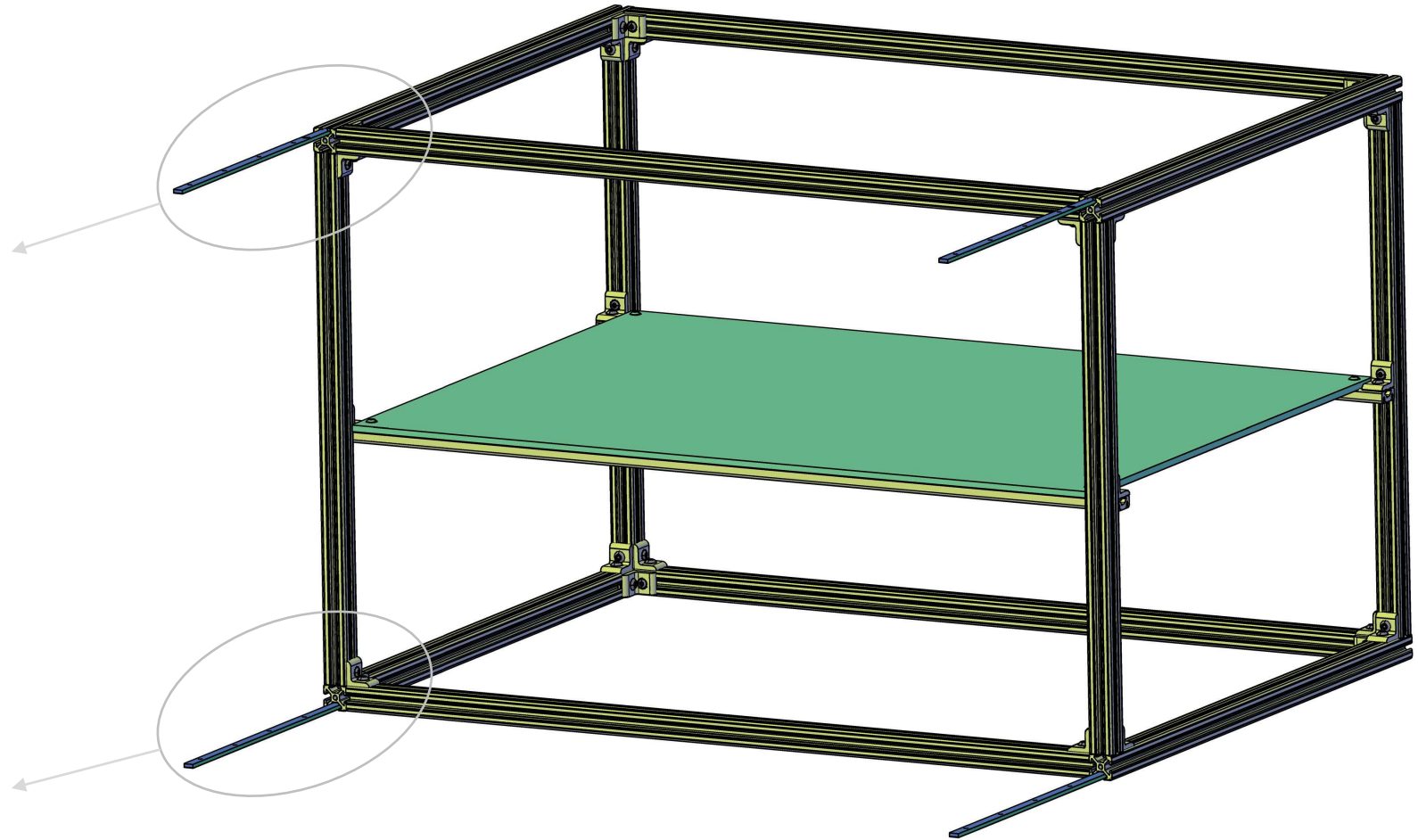
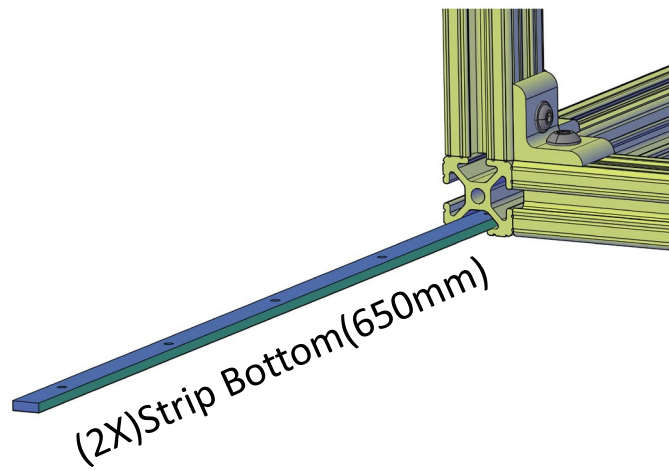
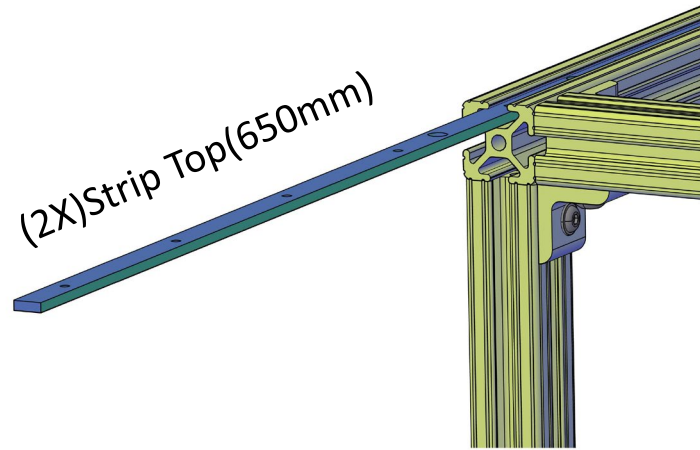


STEP 8

BACK WALL PREPARATION

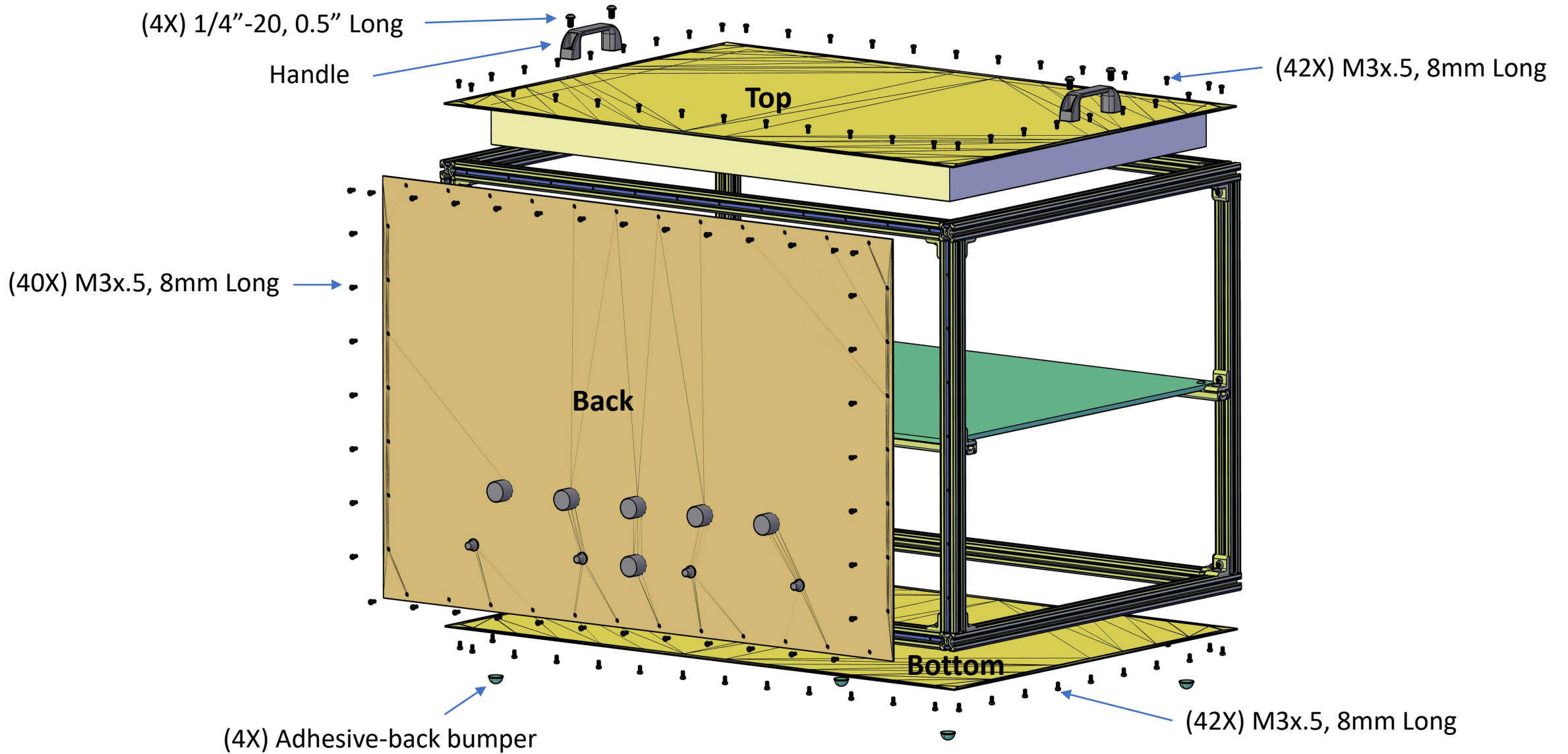


TOP, BOTTOM, BACK WALL INASTALLATION



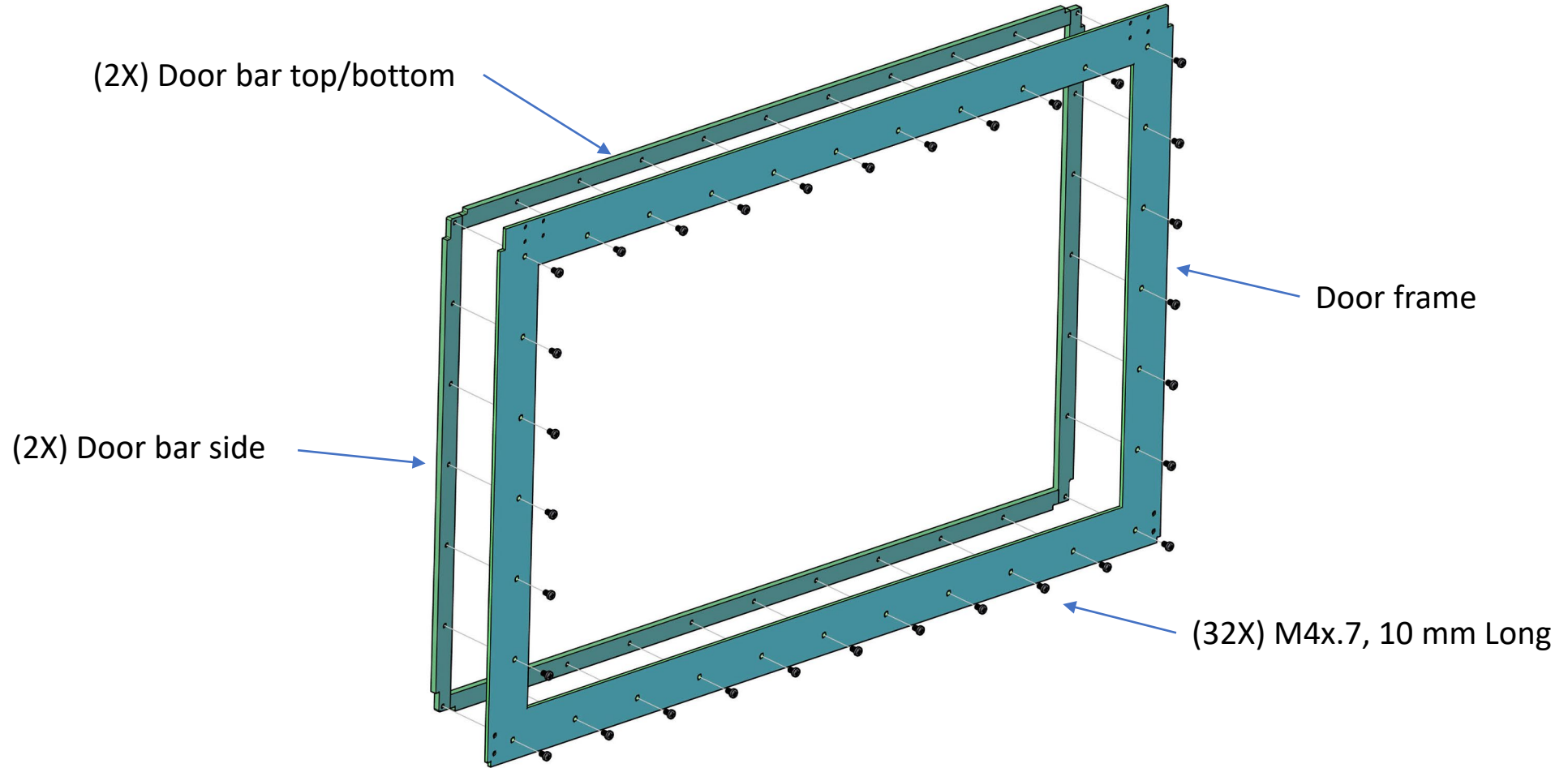
STEP 10

TOP, BOTTOM, BACK WALL INASTALLATION(continued)



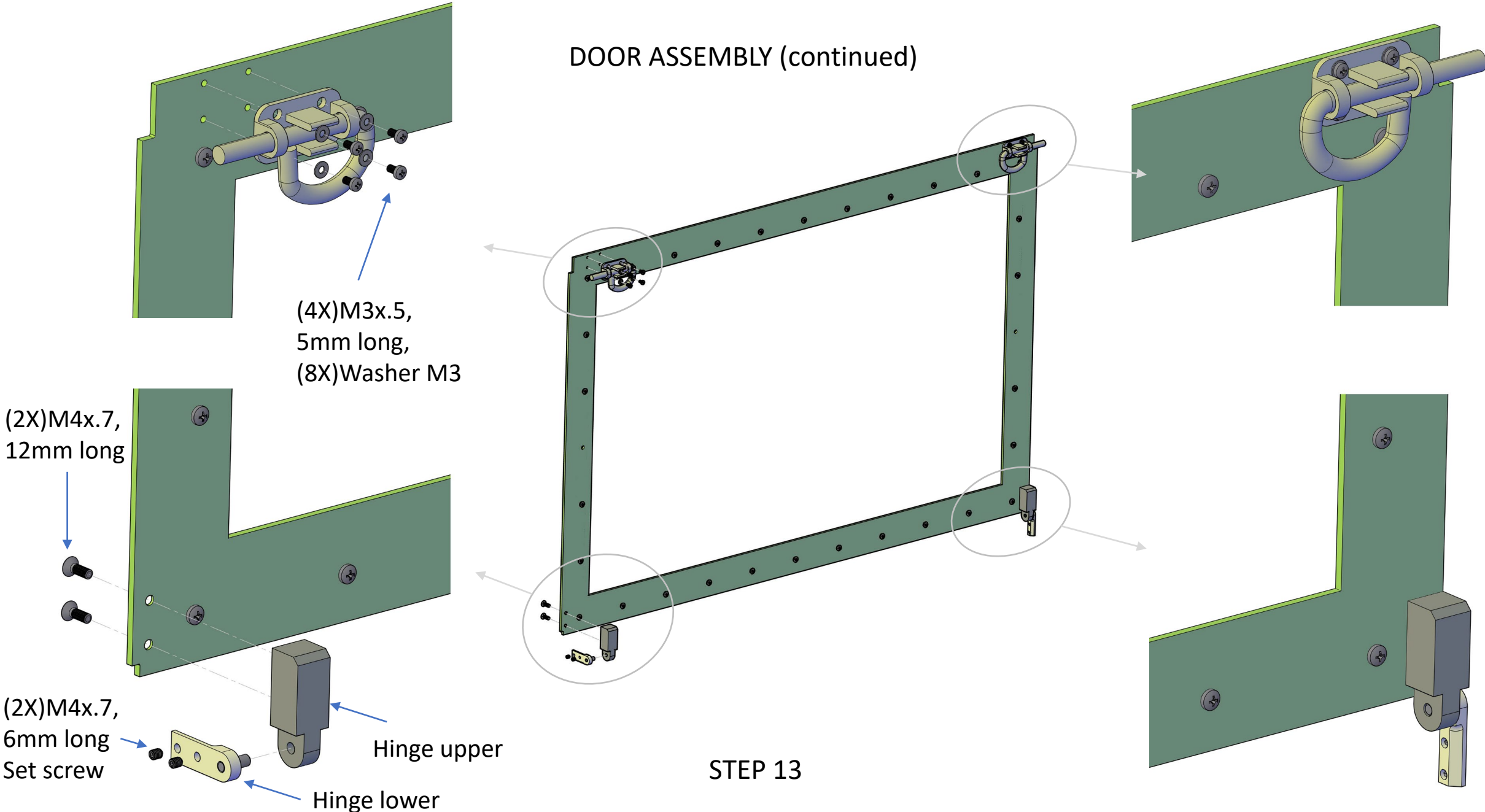
STEP 11

DOOR ASSEMBLY(mesh not shown)

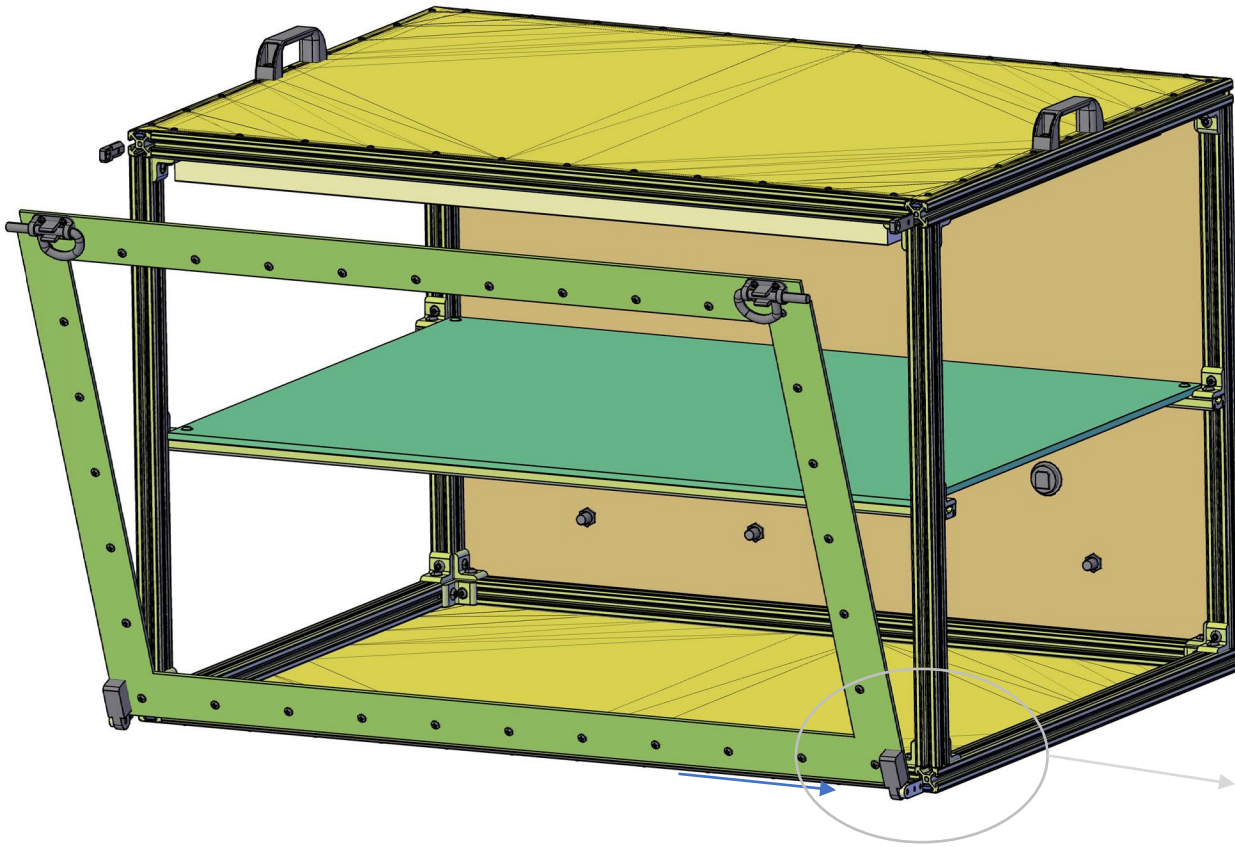


STEP 12

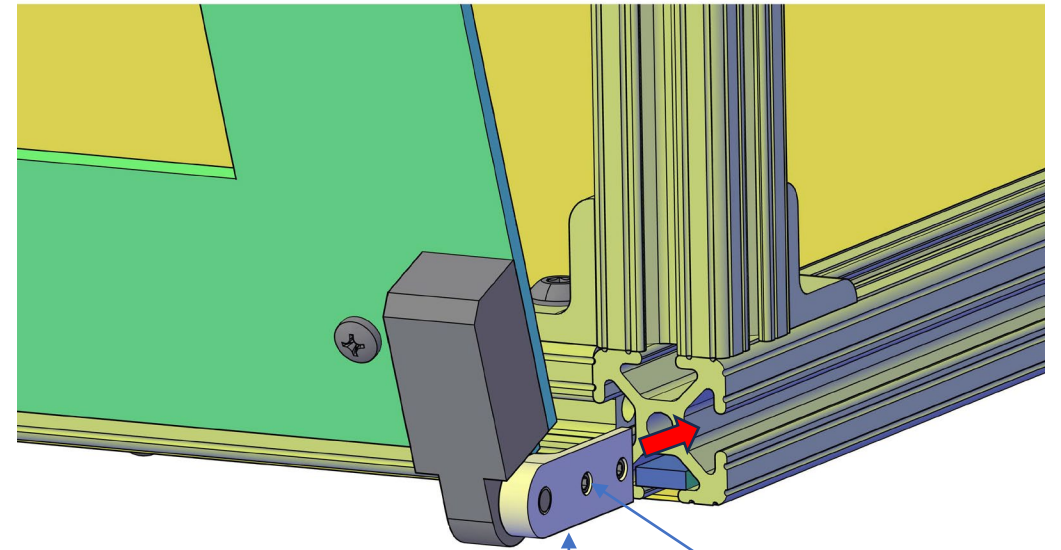
DOOR ASSEMBLY (continued)



DOOR SETTING

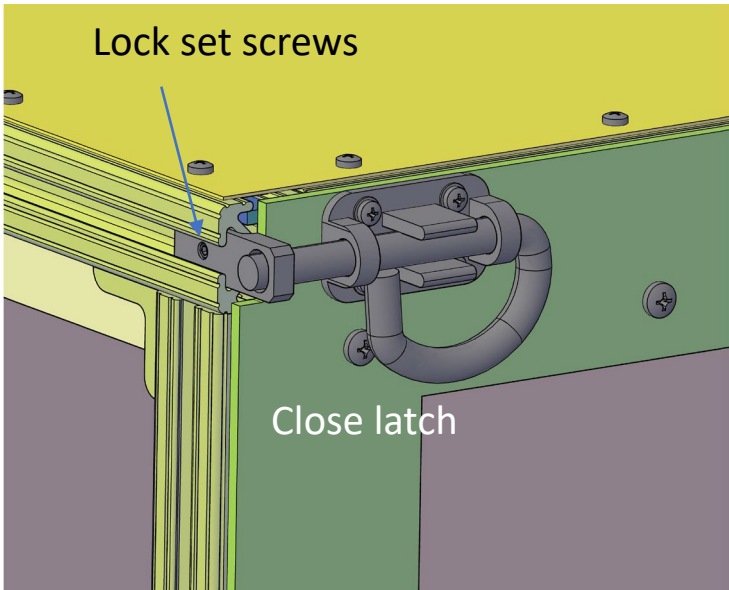
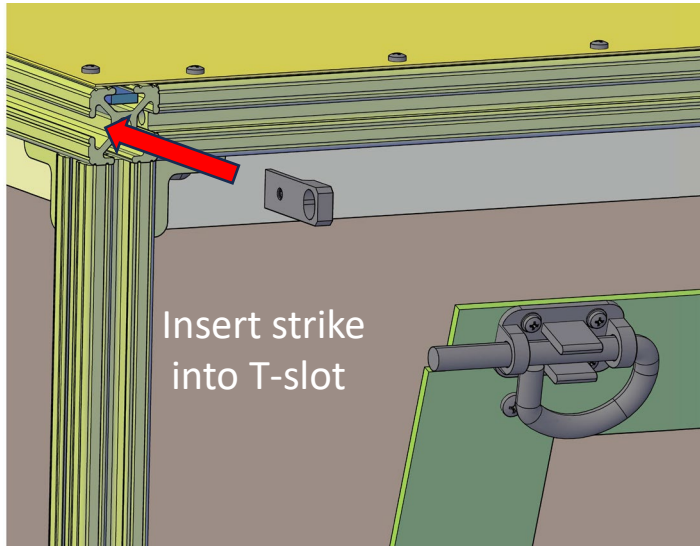


STEP 14

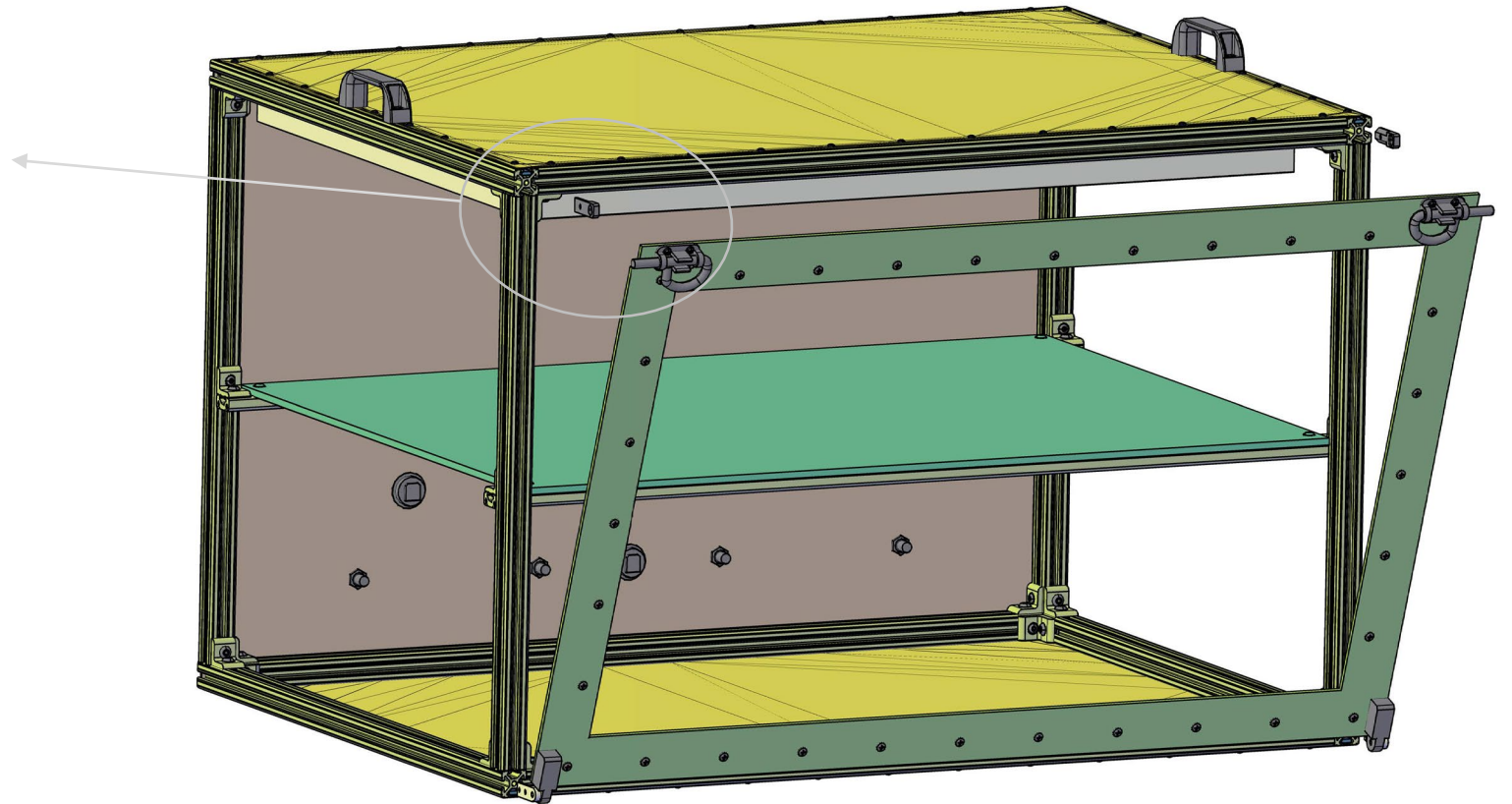


Insert lower hinge
into T-slot

Lock two set screws



LOCK SETTING



STEP 15