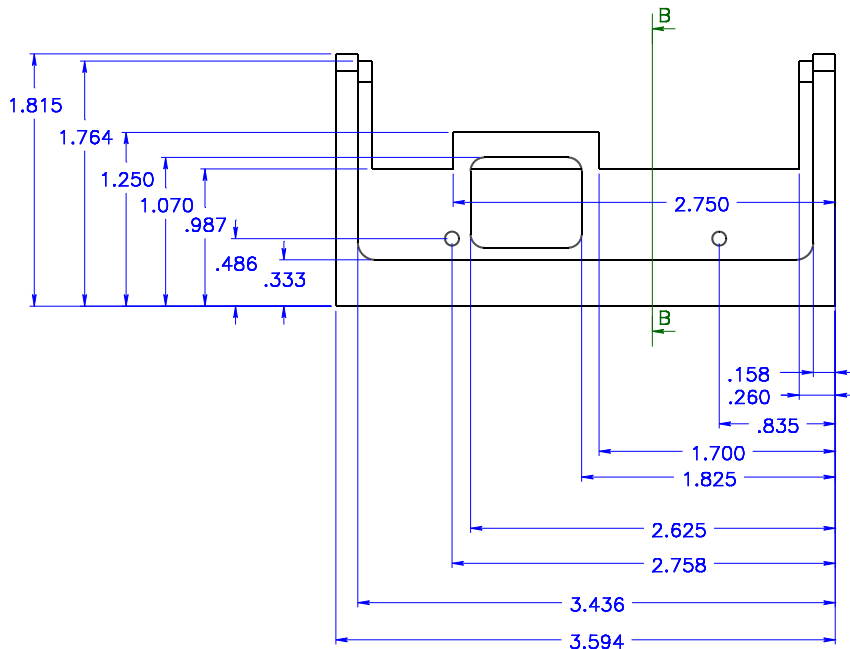
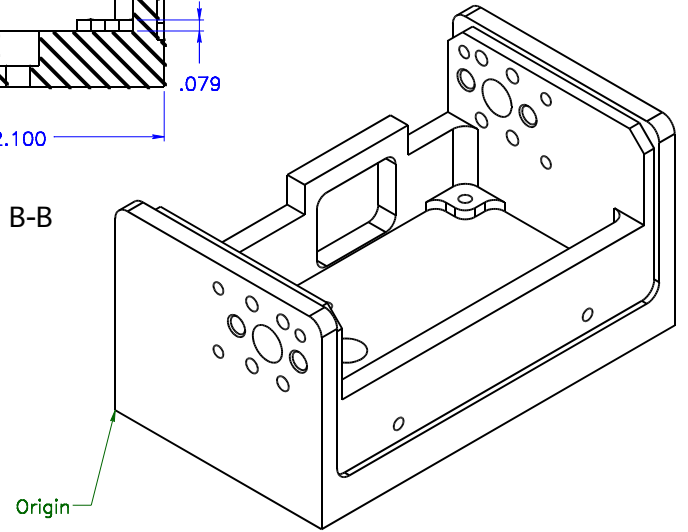
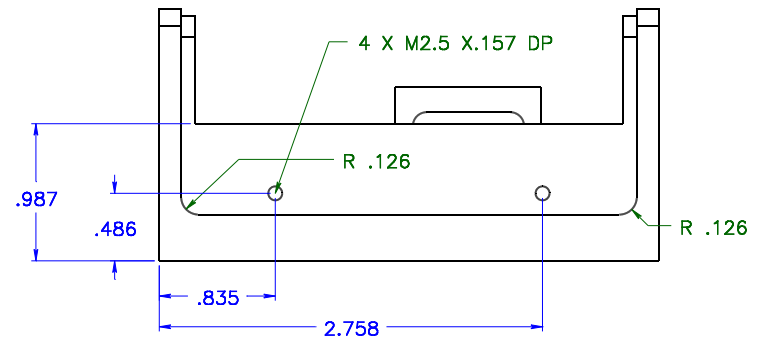


Section B-B



Left Side



Right Side

No	Change	Date	Int	Name	Date	Title
				Created By	JRB	12/4/12
				Checked By		
				Scale		
				Open Source Instruments www.opensourceinstruments.com info@opensourceinstruments.com		HBCAM Body Black (Left) Version
				Drawing Number		Issue