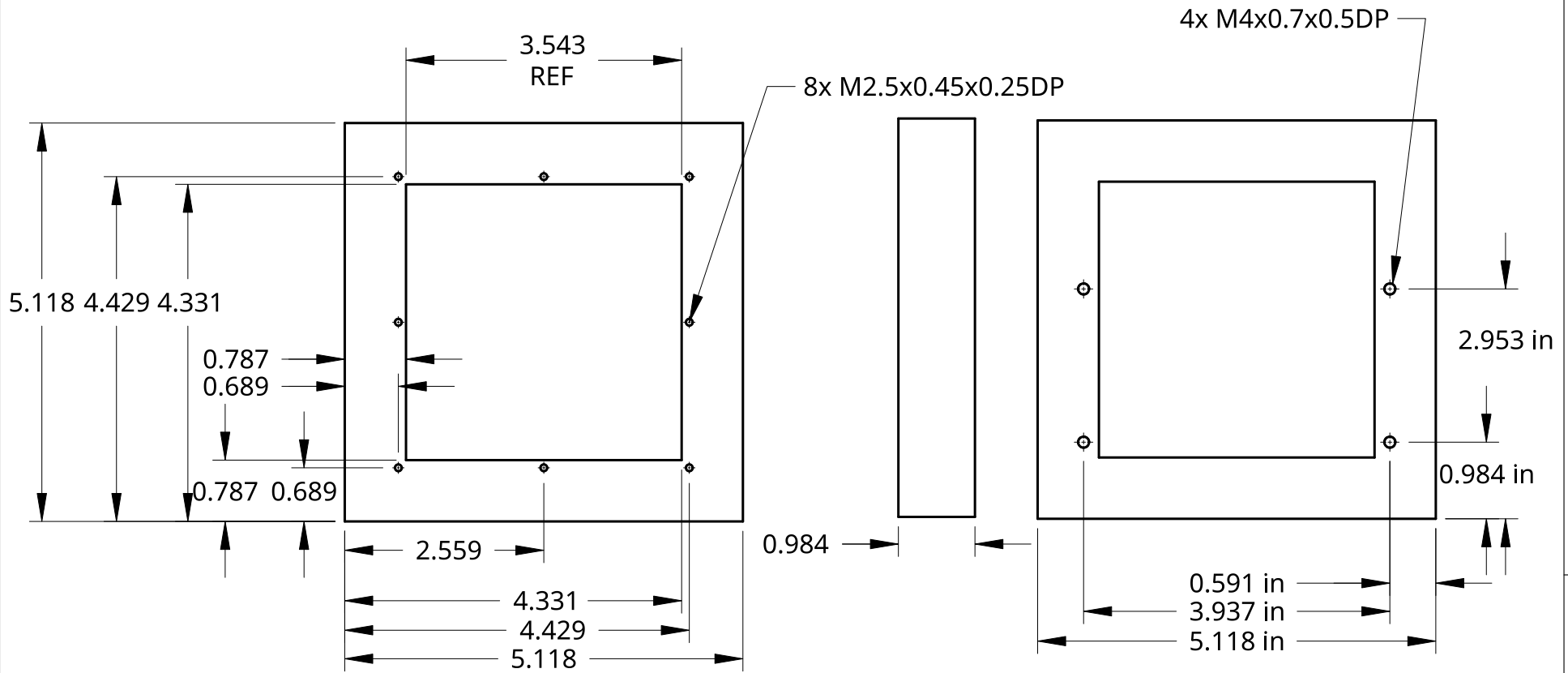


2

1

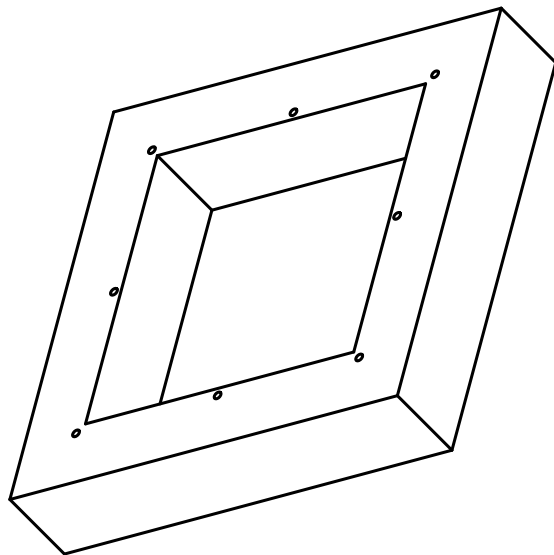
B

B



A

A



2

1

UNLESS OTHERWISE SPECIFIED, DIMENSIONS ARE IN INCHES  ANGULAR = ± 0.1°  SURFACE FINISH $\sqrt{200}$  DO NOT SCALE DRAWING  BREAK ALL SHARP EDGES AND REMOVE BURRS  THIRD ANGLE PROJECTION		NAME	DATE	Inner corner 1/16" radius Machine surfaces flat, square, and parallel within 5 mil Countersink bored and reamed holes	
	DRAWN	SAM ORPHANOS	05/03/2024	TITLE <b>DFPS - FIDUCIAL PLATE FRAME</b>	
	CHECKED	KEVAN HASHEMI	05/03/24		
	APPROVED				
	MATERIAL	FINISH	SIZE	DWG NO.	REV.
	AL6061	NONE	A	D3044FP-FRAME-V1	9
			SCALE	WEIGHT	SHEET
			1:2		1 of 1