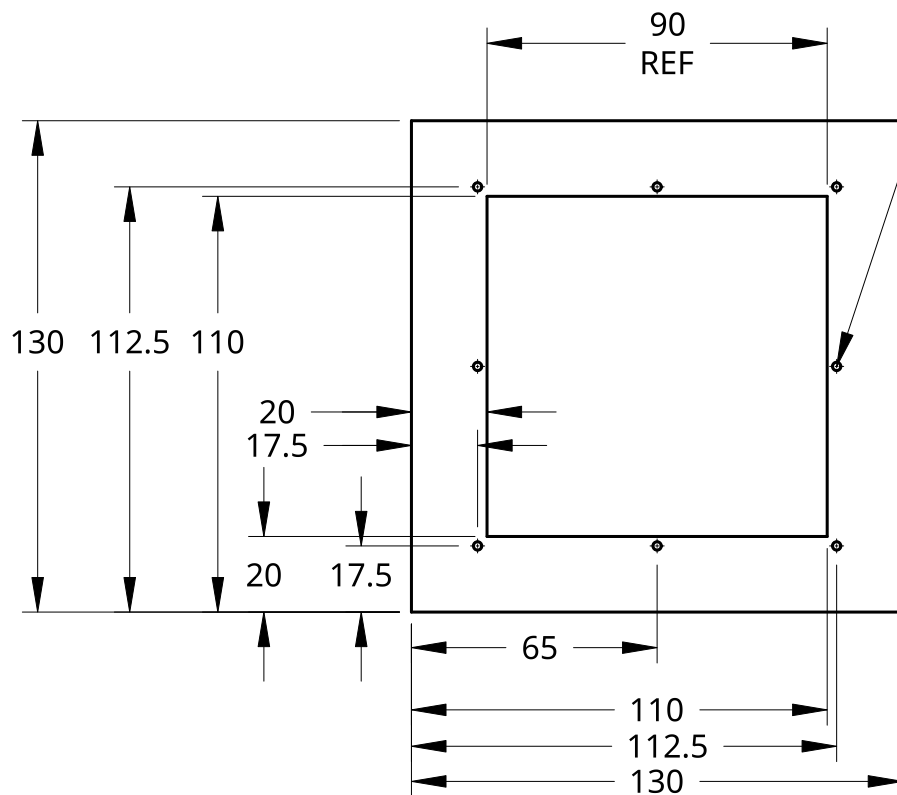


2

1

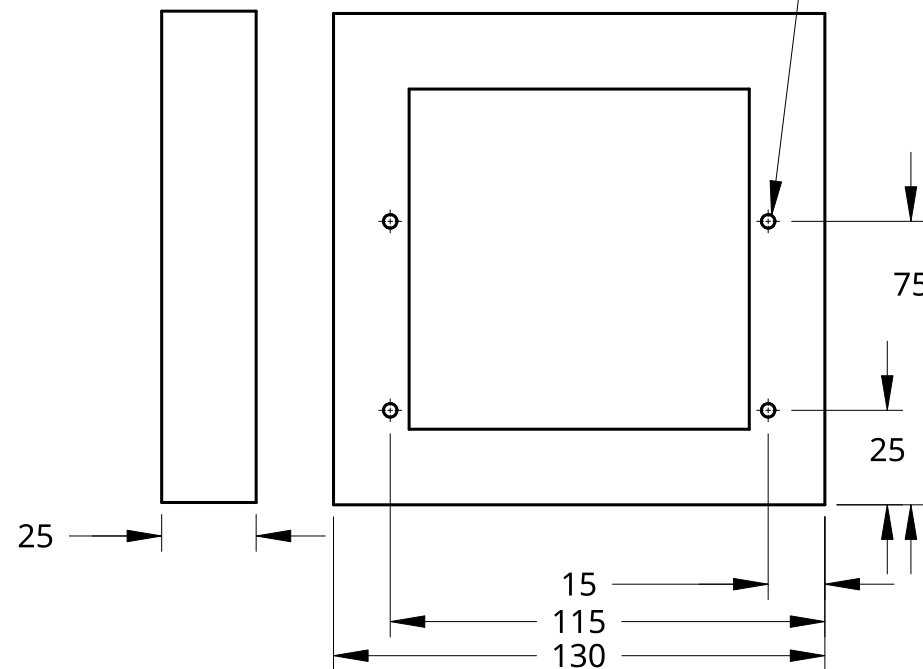
B



8x M2.5x0.45x0.25DP

4x M4x0.7x0.5DP

B



75

25

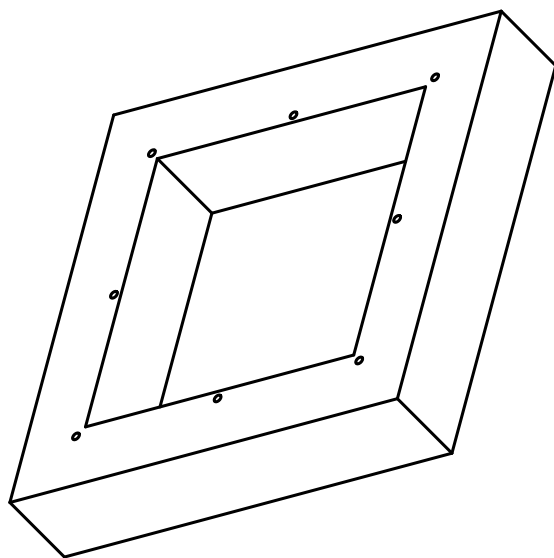
15

115

130

A

A



2

1

| | | | | | |
|--|----------|---------------|------------|---|--------|
| UNLESS OTHERWISE SPECIFIED, DIMENSIONS ARE IN MILLIMETERS ANGULAR = ± 0.1° SURFACE FINISH $\sqrt{200}$ DO NOT SCALE DRAWING BREAK ALL SHARP EDGES AND REMOVE BURRS THIRD ANGLE PROJECTION | | NAME | DATE | Inner corner 1/16" radius Machine surfaces flat, square, and parallel within 5 mil Countersink bored and reamed holes | |
| | DRAWN | SAM ORPHANOS | 05/13/2024 | TITLE DFPS - FIDUCIAL PLATE FRAME | |
| | CHECKED | KEVAN HASHEMI | 05/03/24 | | |
| | APPROVED | | | | |
| | MATERIAL | FINISH | SIZE | DWG NO. | REV. |
| | AL6061 | NONE | A | D3044FP-FRAME-V1 | 10 |
| | | | SCALE | WEIGHT | SHEET |
| | | | 1:2 | | 1 of 1 |

