

Laser Diode



L650P007



Description

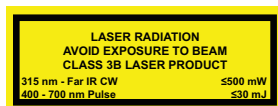
Thorlabs Ø5.6 mm, TO-18 can package discrete laser diode is a compact light source suited to many applications. Our lasers are fully compatible with our entire line of Laser Diode and TEC Controllers as well as our selection of Laser Diode Mounts and Collimation Solutions.

Specifications

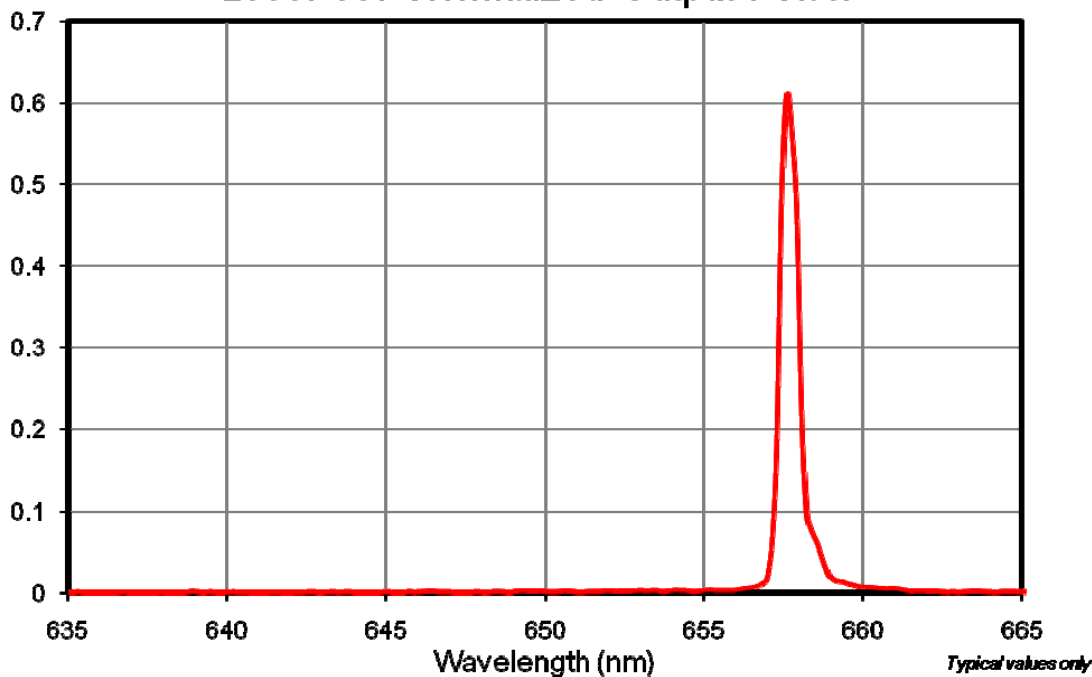
($P_o = 7 \text{ mW}$, $T_c = 25 \text{ }^\circ\text{C}$)

Specification	Symbol	Max
LD Reverse Voltage, V	$V_{R(LD)}$	2
PD Reverse Voltage, V	$V_{R(PD)}$	30
Operation Case Temperature, $^\circ\text{C}$	T_{op}	-10 to 70
Storage Temperature, $^\circ\text{C}$	T_{STG}	-40 to 85

Specification	Symbol	Min	Typ	Max
Wavelength, nm	λ_p	640	650	660
Output Power, mW	P_o	-	7	10
Threshold Current, mA	I_{th}	-	20	25
Operation Current, mA	I_{op}	-	28	35
Operating Voltage, V	V_{op}	-	2.2	2.6
Beam Divergence, deg	$\theta_{//}$	5	9	12
	θ_{\perp}	24	28	32
Slope Efficiency, mW/mA	η	0.6	1	1.3
Monitor Current, mA	I_m	-	0.12	0.3
Astigmatism, μm	A_s	-	-	15
Beam Angle Deviation, deg	$\theta_{//}$	-3	-	3
	θ_{\perp}	-3	-	3
Emission Point Accuracy, μm	ΔX	-80		80
	ΔY	-80		80
	ΔZ	-80		80



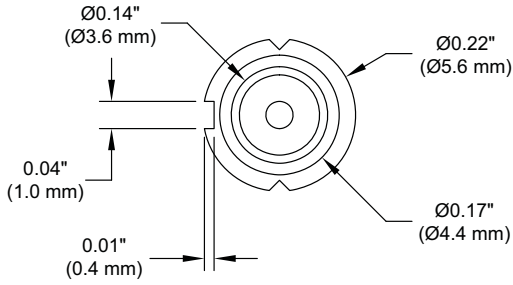
L650P007 Normalized Output Power



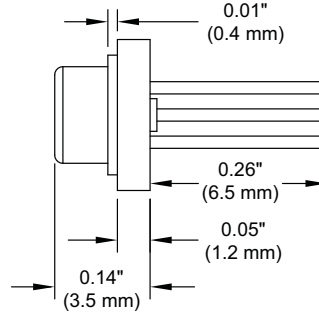
Drawings



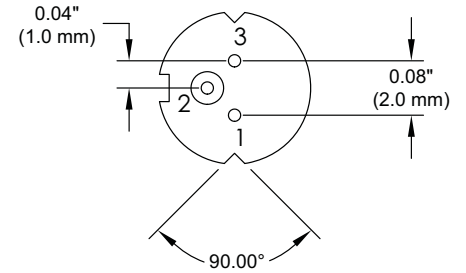
Top View



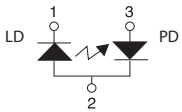
Side View



Bottom View



Pin Code 5A



Pin Description

- 1 Laser Cathode
- 2 Case Common
- 3 Monitor Diode Anode

USA, Canada, and South America

Thorlabs, Inc.
 435 Route 206
 Newton, NJ 07860, USA

Tel: 973-579-7227
 Fax: 973-300-3600

Europe

Thorlabs GmbH
 85221 Dachau, Germany
 Tel: +49-(0)8131-5956-0

Scandinavia

Thorlabs Sweden AB
 400 20 Göteborg, Sweden
 Tel: +46-31-733-30-00

UK and Ireland

Thorlabs LTD.
 Cambridgeshire CB7 4EX, GB
 Tel: +44 (0)1353-654440

Japan and Asia

Thorlabs Japan Inc.
 Bunkyo-ku, Tokyo 112-0012, Japan
 Tel: +81-3-5979-8889

France

Thorlabs SAS
 78600 Maisons-Laffitte, France
 Tel: +33 (0) 970 444 844

China

Thorlabs China
 Shanghai, China
 Tel: +86 (0)21-32513486

