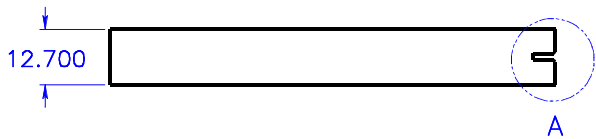
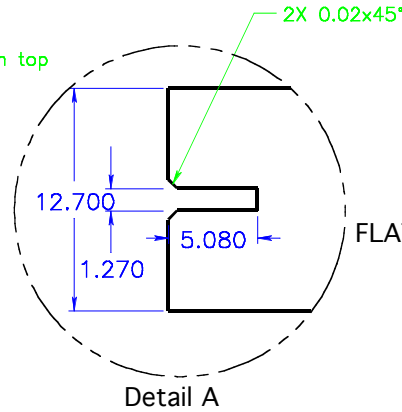


BOTTOM VIEW

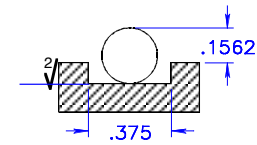


Edge View

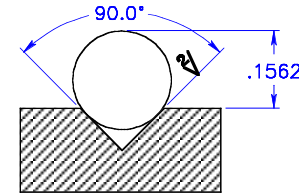
- NOTES:  
 1) 7075 Aluminum, Ground Finish  
 2) Break All Edges  
 3) All Holes Are Through Holes  
 4) M4 Clearance - Thru ø0.177; C'Bore ø0.303 X 0.18 DP????



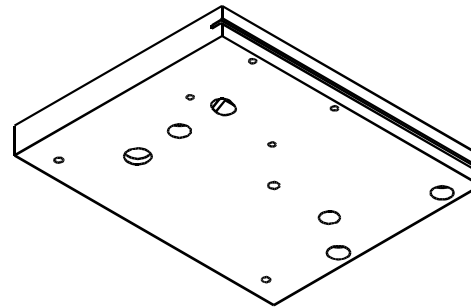
Detail A



FLAT with .2500 ball bearing (not to scale)



Cone and Slot with .2500 ball bearing (not to scale)



					Name	Date	WPS Base Plate	
				Created By	JRB	7/20/11		
				Checked By				
				Scale				
				Open Source Instruments 130 Mount Auburn Street Watertown MA, 02472, USA www.opensourceinstruments.com osi@opensourceinstruments.com			Drawing Number	Issue
No	Change	Date	Init					